



INTRODUCING THE

 **dedolight**[®]

PRECISION LIGHTING INSTRUMENTS

FOCUSING LED LIGHTS

TURBO SERIES
(THE WHISPER LIGHT)

INTRODUCING THE TURBO SERIES OF DEDOLIGHT FOCUSING LED LIGHTS

NEW CONFIGURATION,
SMALL FIXTURE,
HIGH OUTPUT.
SUPER SILENT
ACTIVE COOLING.
IDEAL FOR
THE SMALL TEAM.



The actual light sources have now nearly doubled in performance in a housing similar to our DLED4 (40W unit), but now operated with 2x90W in the bicolor version.

Although these light heads provide significantly higher light output, and in spite of the added cooling devices, the weight of these light heads is still identical with the original DLED4, 40W light head.



Only the ballast has grown somewhat, to accommodate the increased power. Alternative power supplies still allow battery operation.

The bicolor versions are continuously adjustable from 2700K all the way to 6500K. Pure monochrome versions in daylight or tungsten are also available.

The noise level of the whisper cooling will surprise you – even under the most critical conditions.

Kits can include soft boxes, imager/projection attachments. Complete 3-light-kits (DLED7) with plenty of accessories are still light enough for checked-in baggage on flights, packed in super sturdy cases with wheels and pull-out handle.



DEDOLIGHT DLED TURBO SERIES DLED7

SMALL PACKAGE, DRASTICALLY ENHANCED OUTPUT

ACTIVE COOLING – SILENT

Basic size is identical to the now very well accepted DLED4. Small, compact, elegant focusing, robust with double helical focusing mechanism. Now including a very quiet active cooling system enabling the use of much higher wattage LED light sources. Provides drastically enhanced light output. See comparison of the photometrics.

- Available in monochrome versions as daylight or tungsten.
- Also available as bicolor, tunable 2700K to over 6000K.
- Available with DMX as pole-operated versions (optional).

One of the most desirable, fully portable, very capable lighting packages for the small team with all the known dedolight advantages plus optional battery operation. For interview lighting, such small lights, when used as key or fill light, may possibly be regarded as relatively aggressive because of the drastically enhanced output. The use of the optional soft box turns it into a beautiful, gentle light source with a much larger area for pleasing lighting and still sufficient output to cover most everyday situations.

Works perfectly with the third DLED7

light as a highly focusable and tunable back light or accent light.

For delicate and moody background projection. When such background projections are lifted slightly out of focus, you can easily create the illusion of a 3-dimensional world and depth.

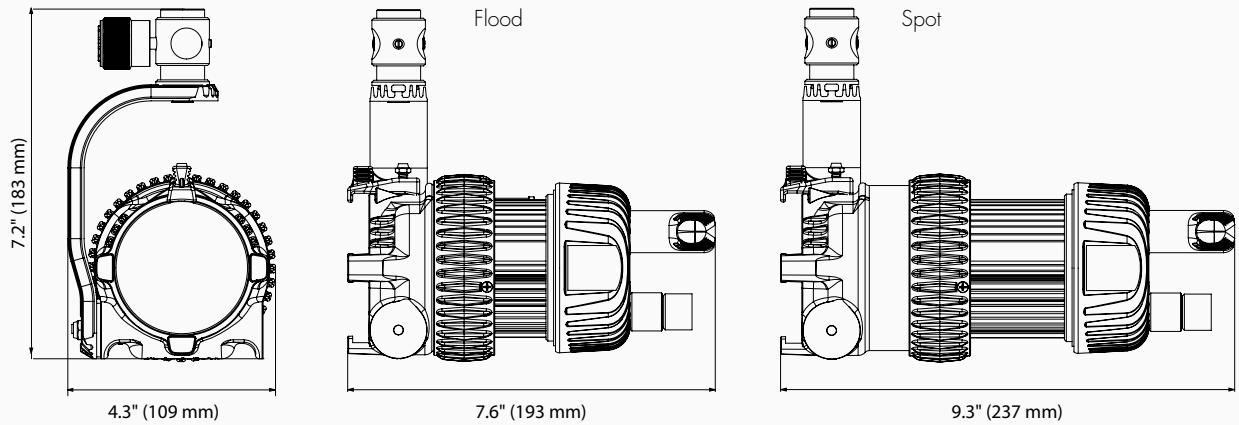
Maybe the most versatile and unique tool for professional lighting, for use in the smallest team as well as for the highest demands in big blockbuster projects.



Light Head (Focus Range)	Turbo Series				DLED9-D (50°-4°)	DLED9-BI (D) (50°-4°)	Arri 300 (55°-15°)
	DLED4-D (60°-4°)	DLED4-BI (D) (60°-4°)	DLED7-D (60°-6°)	DLED7-BI (D) (60°-8°)			
Lux Flood at 1m	1,500	1,580	2,500	2,600	5,080	5,050	4,500
Lux Spot at 1m	14,500	12,100	38,000	21,000	60,000	43,000	16,803
Power Consumption	41 W	44 W	90 W	90 W	90 W	90 W	304 W

DLED7 TURBO TECHNICAL DATA

DLED7-D, DLED7-T, DLED7-BI



FOCUSING LED LIGHT HEAD: DLED7-D, DLED7-T, DLED7-BI

Focus Range (Intensity Range)	60-4° (1:20) with optional aspheric wide-angle attachment: 85-54°
Focus Control	One complete turn on focus ring
Power	Max. Power Consumption 90W Even for bicolor version, which operates, alternating between 2 x 90W light sources
Mounting	5/8" (16 mm) receptacle and 1 1/8" (28 mm) stud
Operating Position	Any
Tilt Control	Permanent friction
Accessory Holder	3" (76 mm) diameter
Safety	Protection Class III, SELV, IP20
Cooling	Active Silent Cooling
UV	No UV radiation
Weight	2.9 lb (1,300 g)

DLED7-D Focusing LED Light Head. Daylight approx. 5600K

Distance	Meter	1	2	3	4	5
	Feet	3'	6'	9'	12'	15'
Flood	Lux	2,500	625	278	156	100
	Foot Candle	232	58	26	15	9
Medium	Lux	4,760	1,190	529	298	190
	Foot Candle	442	111	49	28	18
Spot	Lux	38,000	9,500	4,222	2,375	1,520
	Foot Candle	3,532	882	392	221	141

DLED7-T Focusing LED Light Head. Tungsten approx. 3200K

Distance	Meter	1	2	3	4	5
	Feet	3'	6'	9'	12'	15'
Flood	Lux	2,600	650	289	163	104
	Foot Candle	242	60	27	15	9,7
Medium	Lux	4,875	1,219	542	305	195
	Foot Candle	453	113	50	28	18
Spot	Lux	21,000	5,250	2,333	1,313	840
	Foot Candle	1,952	488	217	122	78

DLED7-BI Focusing LED Light Head. Bicolor measured at 5600K – daylight

Color temperature continuously adjustable from 2700 – 6500K

Distance	Meter	1	2	3	4	5
	Feet	3'	6'	9'	12'	15'
Flood	Lux	2,150	538	239	134	86
	Foot Candle	200	50	22	13	8
Medium	Lux	3,757	939	417	235	150
	Foot Candle	349	87	39	22	14
Spot	Lux	15,400	3,850	1,711	963	616
	Foot Candle	1,431	358	159	90	57

Bicolor in tungsten function ~ 15 % lower output

POWER OPTIONS FOR DLED7 TURBO

ALSO AVAILABLE
VERSIONS OF DLED7

DLED7-BI Turbo – Bicolor version with AC Ballast DT7-BI



DT7-BI
Size: 10.35 x 2.8 x 2"
(263 x 72 x 50 mm)
Weight: 3.1 lbs (1,400 g)



DLED7SE
Turbo Studio Version

DLED7-D / DLED7-T Turbo – Daylight or Tungsten with DC Ballast DT7-BAT-AB/-XLR



DT7-BAT-AB
DT7-BAT-XLR
Size: 8.4 x 2.8 x 2"
(213 x 72 x 50 mm)
Weight: 1.3 lbs (610 g)



DLED7SE
as Pole Operated Version

DLED7-BI Turbo – Bicolor with DC Ballast DT7-BI-BAT-AB/-XLR



DT7-BI-BAT-AB
DT7-BI-BAT-XLR
Size: 8.4 x 2.8 x 2"
(213 x 72 x 50 mm)
Weight: 1.4 lbs (650 g)



DLED7SE
as DMX Version

DEDOLIGHT DLED3 TURBO SERIES



The smallest version, same size as the well-known DLED2, which features 20W, or as bicolor 2 x 20W, now working with a highly effective 40W or double 40W system for bicolor. Active cooling in a silent version, enabling drastically enhanced output. Complete, versatile lighting kit in a handbag format, with the full range of light-shaping and imaging capabilities.

Soft boxes, optionally available, for gentle, pleasing soft light application.

Most probably the smallest, most versatile lighting kit. Small enough to be allowed as cabin baggage.

Other, even more powerful versions of the DLED Turbo Series are still in test stage and may be introduced soon.

Comparison



DLED2

Weight: 17.5 oz. (495 g)



DT2-BAT

Weight: 4.9 oz. (140 g)



DT2-BI-BAT

Weight: 4.9 oz. (140 g)



DLED3 Turbo

Weight: 16.8 oz. (475 g)



DLPS12-60 12V/60W

Size: 5.9 x 2.2 x 1.2"
(150 x 55 x 30 mm)

Weight: 11.5 oz. (325 g)



DT3-BAT

Size: 4.5 x 2.8 x 2"
(113 x 72 x 50 mm)

Weight: 12.7 oz. (360 g)



DT3-BI-BAT

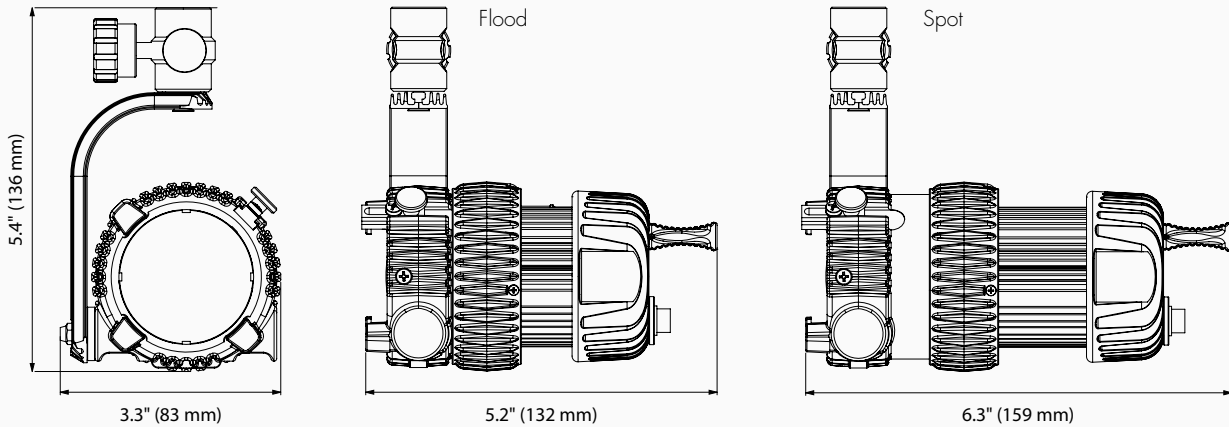
Size: 5.6 x 2.8 x 2"
(143 x 72 x 50 mm)

Weight: 12.7 oz. (460 g)

Light (Focus Range)	DLED2-D (50°-5°)	DLED2-BI (D) (50°-5°)	Turbo Serie	
			DLED3-D (50°-5°)	DLED3-BI (D) (50°-5°)
Lux Flood at 1m	810	820	1,250	1,300
Lux Spot at 1m	5,250	3,350	8,100	4,800
Power Consumption	20W	20W	40W	40W
DLED3 Bicolor Tungsten 20% lower output				

DLED3 TURBO TECHNICAL DATA

DLED3-D, DLED3-T, DLED3-BI



FOCUSING LED LIGHT HEAD: DLED3-D, DLED3-T, DLED3-BI

Focus Range (Intensity Range)	50°-5° (1:7)
Focus Control	3/4 turn on focus ring
Power	Max. Power Consumption 40W. even for bi-color version, alternating between two 40W light sources.
Mounting	5/8" (16 mm) receptacle
Operating Position	Any
Tilt Control	Adjustable friction
Accessory Holder*	Ø 2.3" (58 mm)
Safety	Protection Class III, SELV, IP20
Cooling	Active Silent Cooling
UV	No UV radiation
Weight	1.8 lb (800g)
* for mounting the unique range of DLED3 front-end accessories	

DLED3-D Focusing LED Light Head. Daylight approx. 5600K

Distance	Meter	1	2	3	4	5
	Feet	3'	6'	9'	12'	15'
Flood	Lux	1,350	338	150	84	54
	Foot Candle	126	31	14	8	5
Medium	Lux	2,511	629	279	156	100
	Foot Candle	237	58	26	15	9.3
Spot	Lux	16,500	4,125	1,833	1,031	660
	Foot Candle	1,534	383	170	96	61

DLED3-T Focusing LED Light Head. Tungsten approx. 3200K

Distance	Meter	1	2	3	4	5
	Feet	3'	6'	9'	12'	15'
Flood	Lux	1,170	293	130	73	47
	Foot Candle	109	27	12	7	4.4
Medium	Lux	1,942	486	216	121	78
	Foot Candle	181	45	20	11.3	7.2
Spot	Lux	4,350	1,088	483	272	174
	Foot Candle	404	101	45	25	16.2

DLED3-BI Focusing LED Light Head. Bicolor measured at 5600K – daylight

Color temperature continuously adjustable from 2700 – 6500K

Distance	Meter	1	2	3	4	5
	Feet	3'	6'	9'	12'	15'
Flood	Lux	1,450	363	161	91	58
	Foot Candle	135	34	15	8.4	5.4
Medium	Lux	2,610	653	290	163	104
	Foot Candle	243	61	27	15.2	10
Spot	Lux	5,650	1,413	628	353	226
	Foot Candle	525	131	58	33	21

Bicolor in tungsten function ~ 15 % lower output

TURBO KITS - DLED3 KITS

DLED3 3 LIGHT KIT – WITH SOFT CASE

■ SLT3-3-BI-S 3 Light MICRO LED Kit bicolor - STANDARD (3x DLED3 TURBO LED) AC/DC

- | | |
|---------------|---|
| 3 DLED3-BI | Focusing 40W TURBO LED bicolor light head |
| 3 DT3-BI-BAT | DC dimmable ballast for DLED3-BI TURBO LED bicolor light heads for use with batteries. Input 11 - 18V DC. |
| 3 DLOBML-AB-S | Cable 22 cm / 9" with Anton/Bauer connector |
| 3 DBDS8 | Standard 8-leaf barn door for DLED2/DLED3 light heads |
| 1 DP1S | Universal projection attachment/imager incl. 60mm lens for DLED2/DLED3 LED light heads. Incl .DPGHS |
| 1 DPGSETS | Gobo set for DP1S imagers |
| 2 DLED2-SBX | Soft box for DLED2/DLED3 LED light heads |
| 2 DLSR60 | Speedring for DLED2/DLED3 soft box, fits accessory slot |
| 3 DLPS12-60 | Mains power supply for DT3(BI)-BAT (A/E/G/J)/U 100 - 240 V AC, please specify power connector) |
| 3 DLPS12-EXT5 | Extension cable for 12V power supply, 5m long |
| 1 DSCS | Soft case, small |
| 1 SDSTM3 | Extra stand kit with 3x DSTM, 2x DSTFX40 and soft bag |

Size: 53 x 24 x 23 (20.9" x 9.5" x 9.1")
Weight: 8.4 kg (18.5 lbs)

■ SLT3-3-D-S 3 Light MICRO LED Kit daylight - STANDARD (3x DLED3 TURBO LED) AC/DC

Same as SLT3-3-BI-S, but as 40 W TURBO daylight system with DLED3-D, DT3-BAT ballasts instead of bicolor units.



■ **SLT3-3-BI-M 3 Light MICRO LED Kit bicolor - MASTER**

(3x DLED3 TURBO LED) AC/DC

- | | | |
|---|-------------|---|
| 3 | DLED3-BI | Focusing 40W TURBO LED bicolor light head |
| 3 | DT3-BI-BAT | DC dimmable ballast for DLED3-BI TURBO LED bicolor light heads for use with batteries. Input 11 - 18V DC. |
| 3 | DLOBML-AB-S | Cable 22 cm / 9" with Anton/Bauer connector |
| 3 | DBDS8 | Standard 8-leaf barn door for DLED2/DLED3 light heads |
| 1 | DP1S | Universal projection attachment/imager incl. 60mm lens for DLED2/DLED3 LED light heads. Incl. DPGHS |
| 1 | DPGSETS | Gobo set for DP1S imagers |
| 2 | DLED2-SBX | Soft box for DLED2/DLED3 LED light heads |
| 2 | DLSR60 | Speedring for DLED2/DLED3 soft box, fits accessory slot |
| 3 | DIPS12-60 | Mains power supply for DT3(-BI)-BAT (A / E / G / J / U. 100 - 240 V AC, please specify power connector) |
| 3 | DIPS12-EXT5 | Extension cable for 12V power supply, 5m long |
| 3 | LiTH 95 SI | Batteries with internal charger |
| 3 | DLBCA2-V | Belt adapter for V-Mount batteries with holding plate for DT3(-BI)-BAT power supplies. D-TAP power out socket |
| 2 | DSCS | Soft case, small |
| 1 | SDSTM3 | Extra stand kit with 3x DSTM, 2x DSTFX40 and soft bag |

Size (2x): 53 x 24 x 23 (20.9" x 9.5" x 9.1")

Weight (main case): 8.4 kg (18.5 lbs)

Weight (BAT case): 5.3 kg (11.7 lbs)



■ **SLT3-3-D-M 3 Light MICRO LED Kit daylight - MASTER**

(3x DLED3 TURBO LED) AC/DC

Same as SLT3-3-BI-M, but as 40 W TURBO daylight system with DLED3-D, DT3-BAT ballasts instead of bicolor units.



TURBO KITS - DLED7 KITS

DLED7 3 LIGHT KIT – WITH HARD CASE

■ KLT7-3-BI 3 Light LED Kit - bicolor (3x DLED7 TURBO LED) AC

- 3 DLED7-BI dedolight focusing LED light head, bicolor
- 3 DT7-BI Power supply for DLED7 bicolor LED light heads
- 3 DPLS Light shield ring
- 3 DBD8 Standard barn door (eight leaves)
- 2 DLSR70 Speedring for CLASSIC Series and DLED4 light heads
- 2 DSBSXS dedoflex mini soft box 30x30x23cm (12x12x9")
- 2 DLGRIDXS Grid (40°), fits mini soft box
- 1 DP1.1 Imager projection attachment
- 1 DPGH Steel gobo holder (size ,M')
- 1 DPGSET Gobo set (six popular steel gobos, size ,M')
- 3 DFH Gel filter holder
- 1 DGW Gel filter set, warm tone (fits Classic Series filter holder)
- 1 DGMD Gel filter set, mixed diffusion (fits Classic Series filter holder)
- 1 DGCOL Gel filter set, color effect (fits Classic Series filter holder)
- 3 DFX glasses Three structur glass filters with holder
DFXT6-R / DFXT10-B / DFXT11-P
- 2 DPACP Accessory pouch
- 1 CLAMP1 dedolight clamp
- 3 DST dedolight stands
- 1 DCHDW1 Hard case with handle and wheels

Size: 57.9 x 46.5 x 29.7 cm (22.8 x 18.3 x 11.7")
Weight: 19.90 kg (43.9 lbs)



■ KLT7-3-D 3 Light LED Kit - daylight (3x DLED7 TURBO LED) AC

Same as KLT7-3-BI, but as 90 W TURBO daylight system with DLED7-D, DT7-BAT-AB ballasts instead of bicolor units.



SETUP



Picture shows setup with 3 DLED3 Turbo, 40W lights with integrated electronics, battery driven, background projection with DLED4 (40W), light head plus imager.



Picture printed on gel, combined with gobo (window). Identical setup, easier to perform with DLED3, otherwise identical.



Picture shows setup as described above. Background projection from printed gel image.



The dedolight DLED series has been enthusiastically received for mobile light as well as studios, due to it's unique dedolight optical advantages.

Patented, non-spherical system, very special LED light sources, designed, developed and built exclusively to cooperate with the dedolight optical system, transferring all of the known dedolight precision lighting advantages.

Highest efficiency enabling battery operation.

Perfect light distribution and color quality. Bicolor version tunable from 2,700 up to 6,500 Kelvin.



Picture above shows increased depth illusion, enhanced by placing background (book shelf projection) out of focus.

Picture shows lighting setup using 11 LED lights. Showing slide projection for book shelf background. Picture should serve as illustration for lighting setup, showing different layers of depth, 3-dimensional impression, also for possible focus shift from books in foreground to 2 persons in dialogue and further to single person reading.



These pictures lit with 3 DLED7 Turbo lights, background projection from slide.



Dedo Weigert Film GmbH

Karl-Weinmair-Straße 10
D-80807 Munich, Germany

Phone: +49-(0)89 - 356 16 01
Fax: +49-(0)89 - 356 60 86
info@dedoweigertfilm.de
www.dedoweigertfilm.de



Dedotec USA, Inc.

48 Sheffield Business Park
Ashley Falls, MA 01222

Phone: (413) 229 - 2550
Fax: (413) 229 - 2556

info@dedolight.com
www.dedolight.com